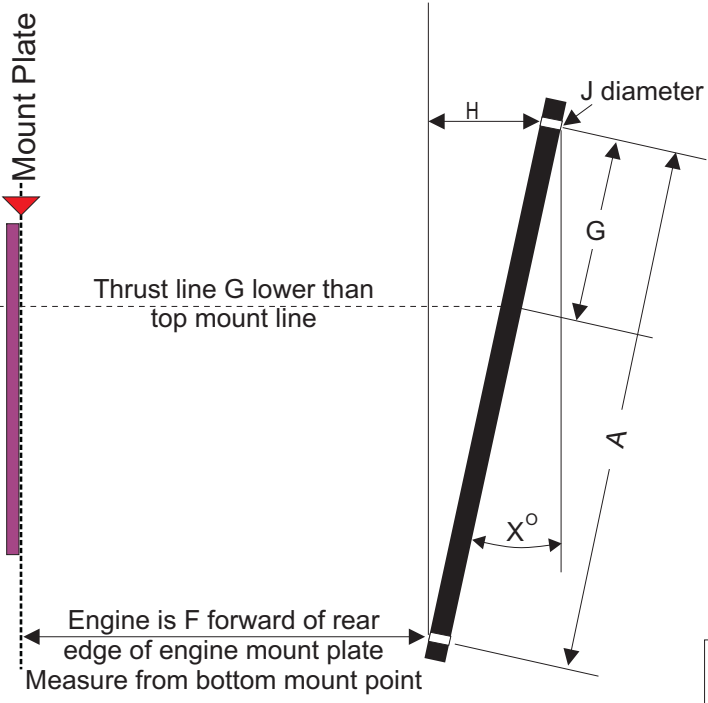


Simple 4 point frame indicating measurements required - mm or inches...
(Note x is in degrees)

A	
B	
C	
D	
F	
G	
H	
J	
X	

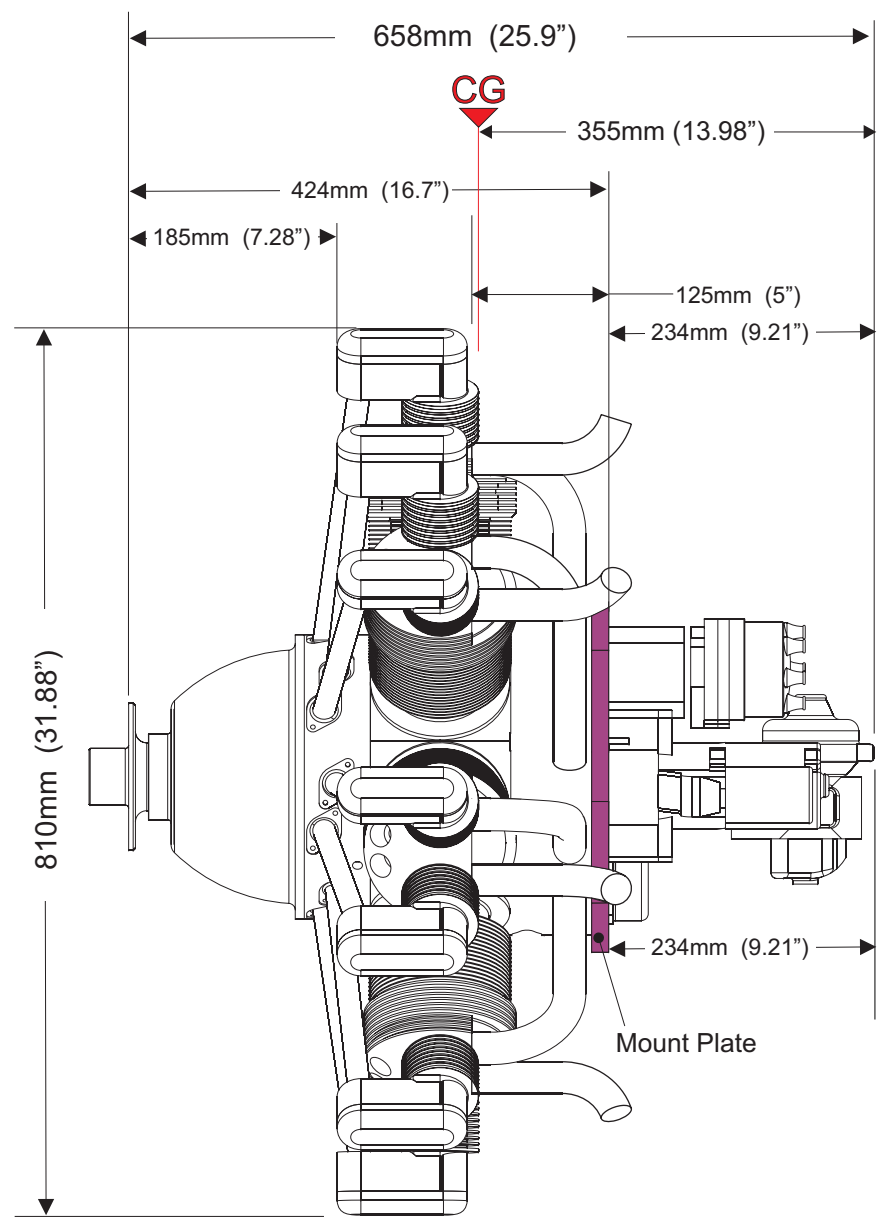


Note: If $x = 0$ degrees then the fire wall is perpendicular and the value of H will be zero - in such cases please insert 0 for H and x



Name:

Aircraft:



Distance from rear edge of mount plate to rear of carb = 234mm (9.21")

Distance from rear of Carb to Fire wall =

Distance from Mount Plate to Fire wall = F =

(measured from bottom point)